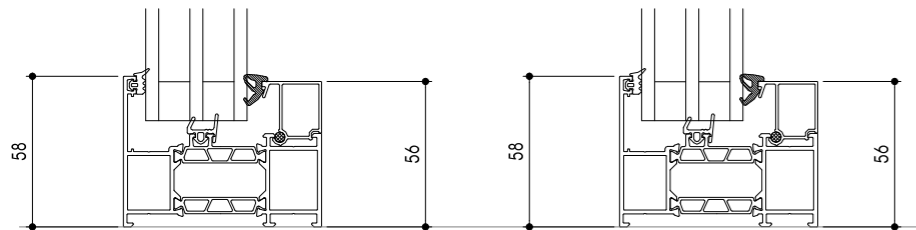
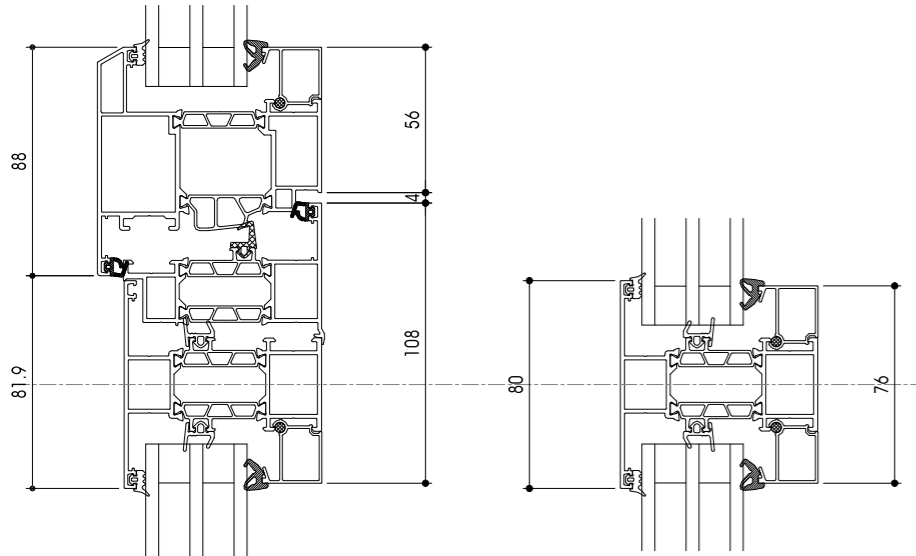
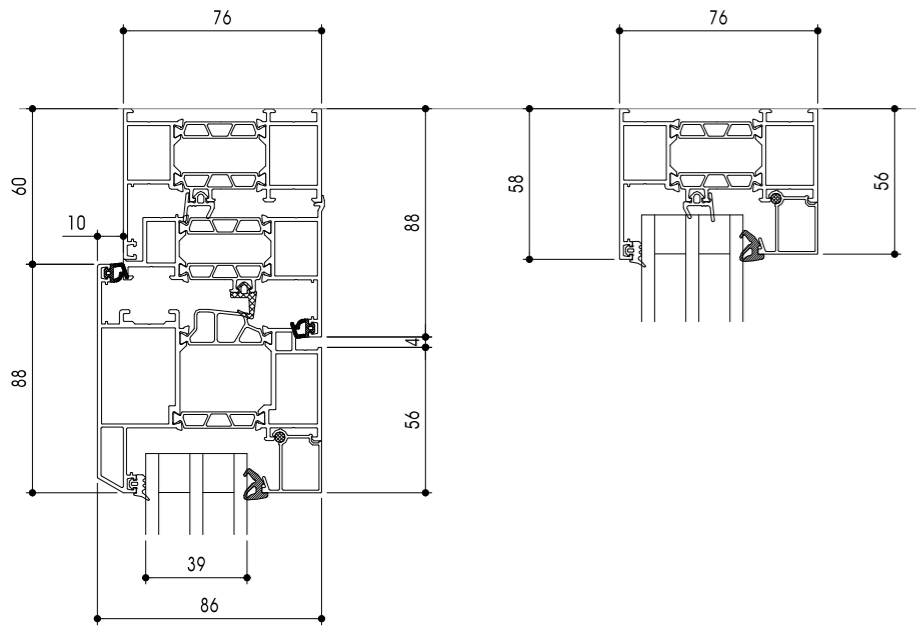


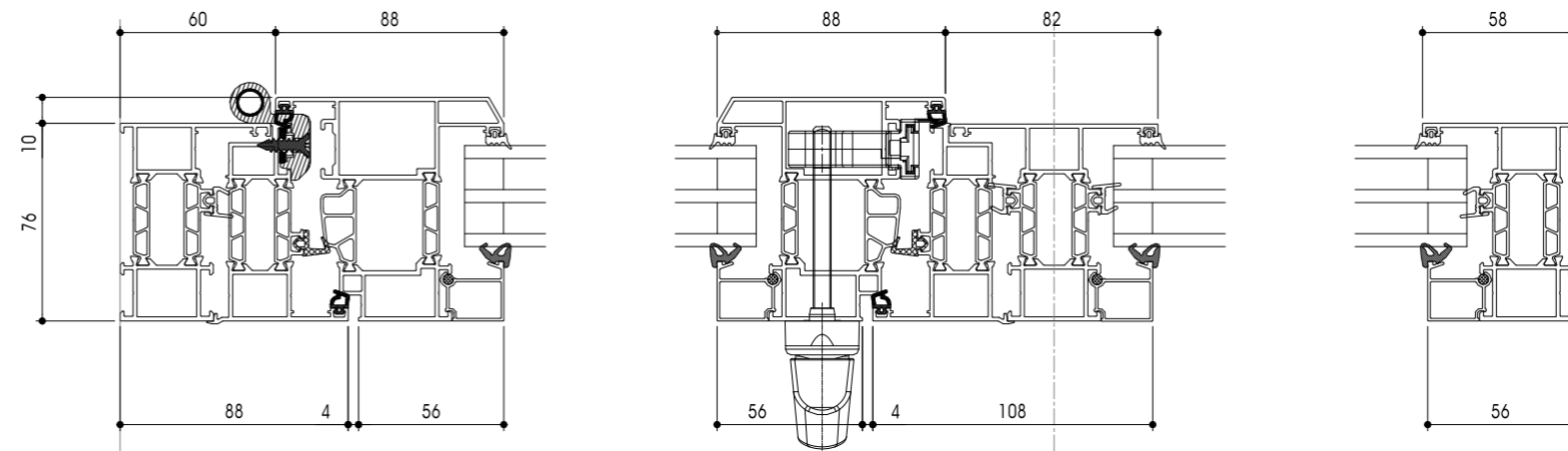
WITHJIS - High End Window

WT 76, AT (awning and turn system)

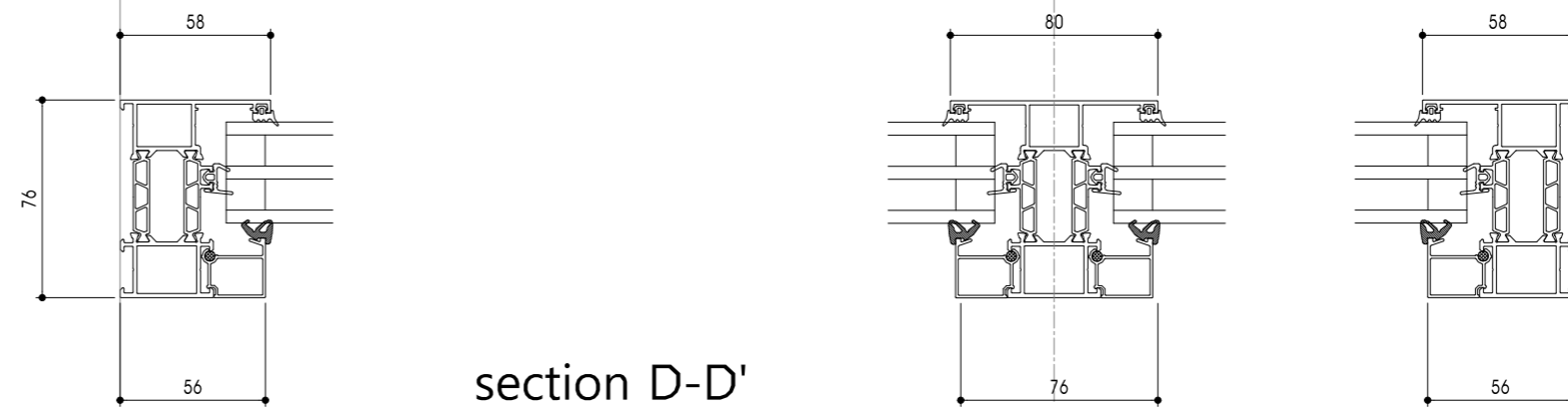


section A-A'

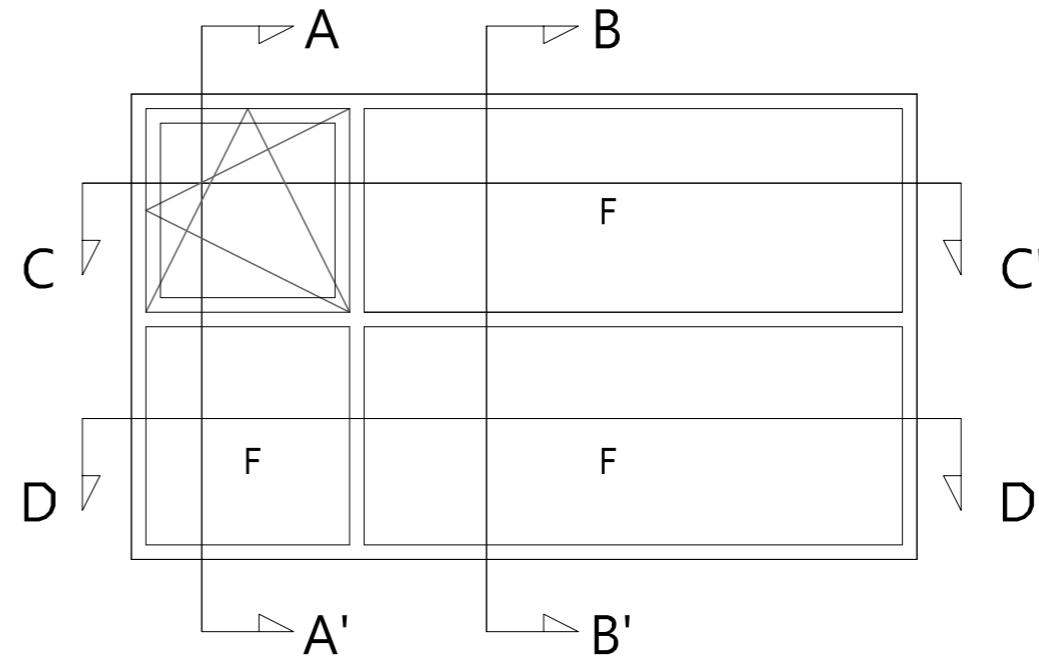
section B-B'



section C-C'



section D-D'



ELEVATION (INTERIOR VIEW)

PROJECT TITLE

CLIENT

NOTE

위드지스
DRAWN KJ



REV. NO.	ISSUE & DATE
----------	--------------

APPROVE

CHECKED BY

DRAWN BY

PROJECT NO.

SCALE	A1	
	A3	1 : 3

DATE 2020.03.01

DRAWING TITLE

SHEET NO.

DRAWING NO.