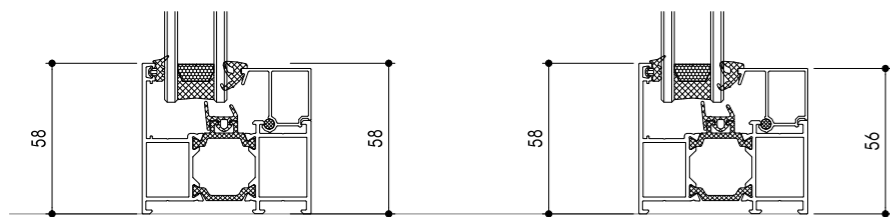
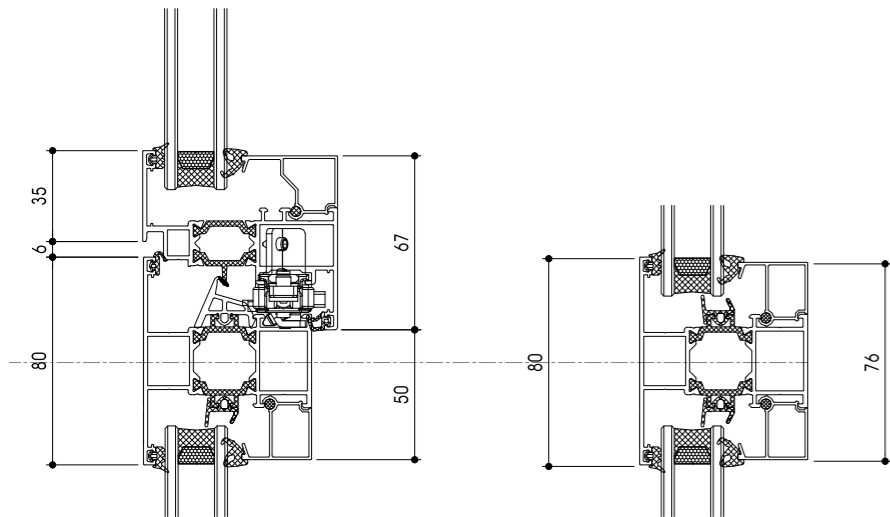
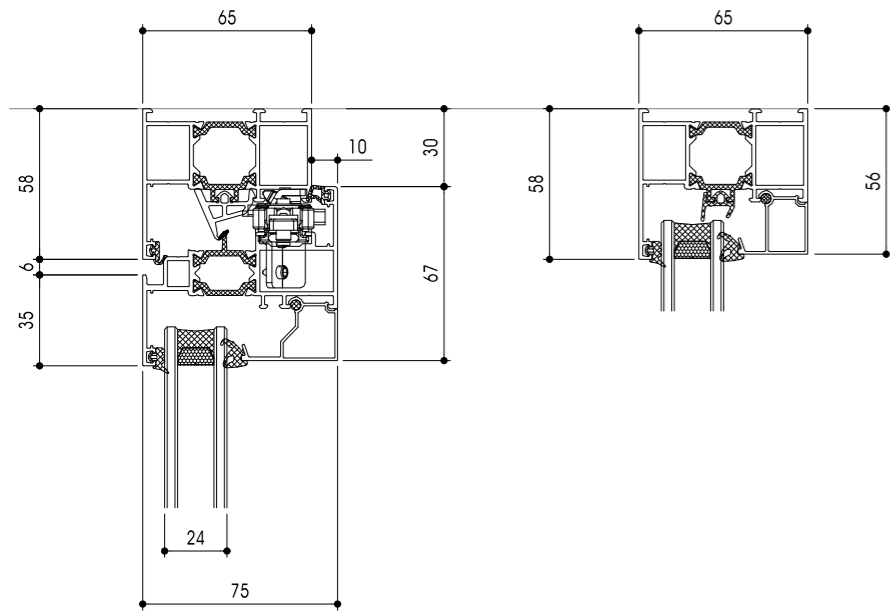


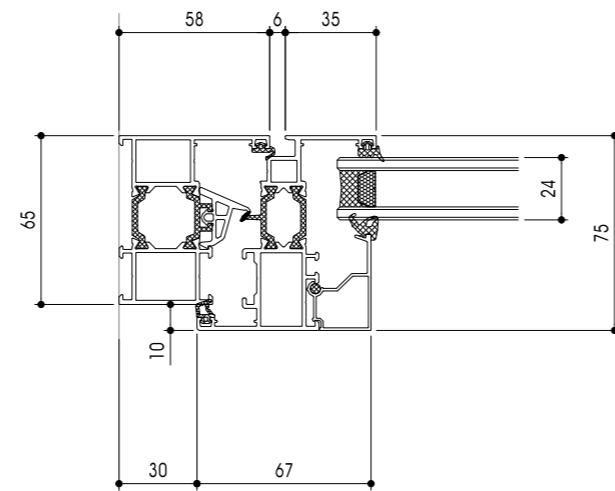
# WITHJIS - High End Window

## WT 65, TT (tilt and turn system)

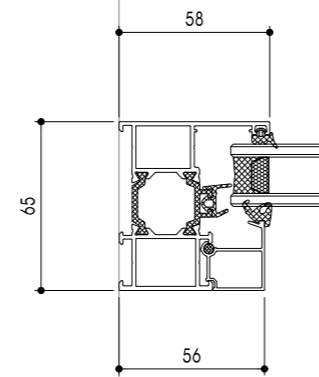


section A-A'

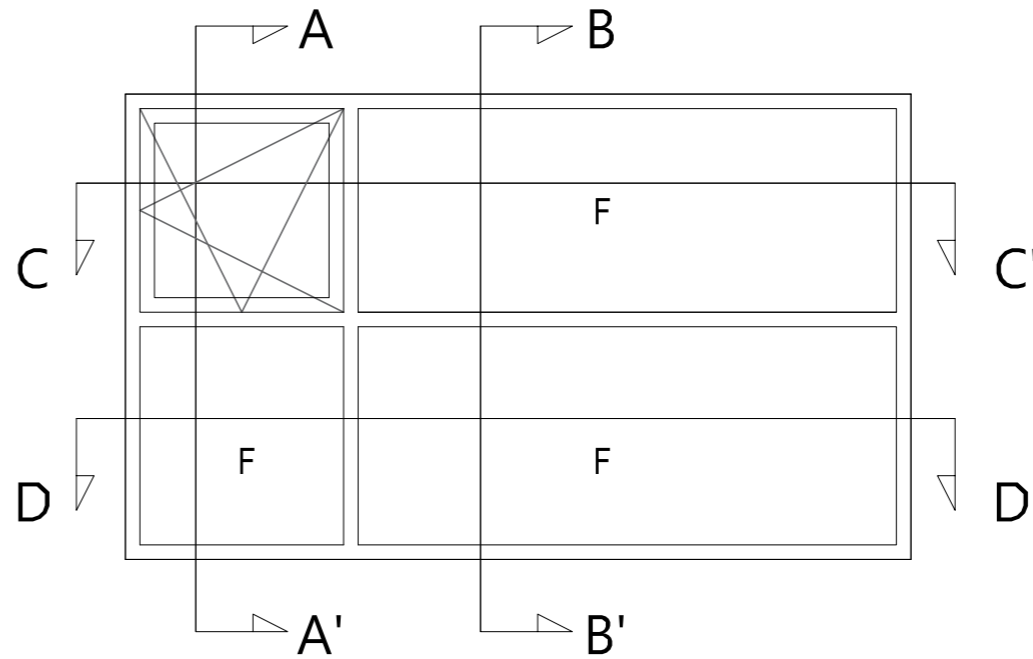
section B-B'



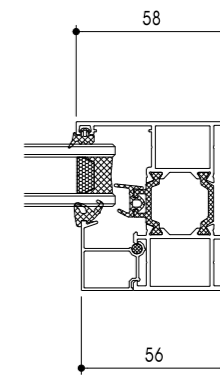
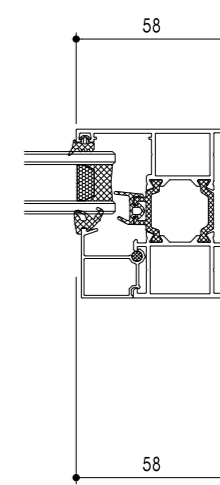
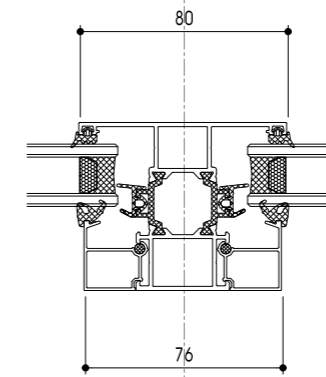
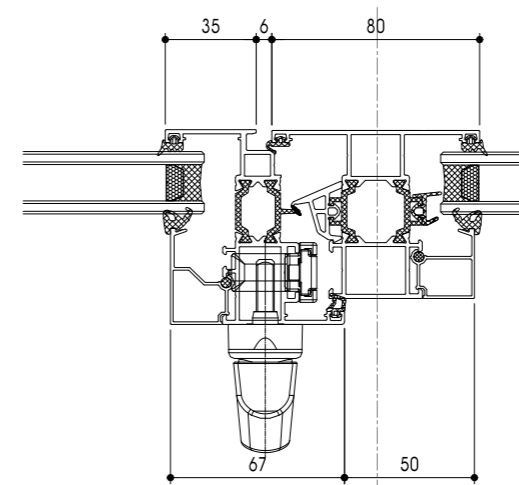
section C-C'



section D-D'



ELEVATION (INTERIOR VIEW)



PROJECT TITLE

CLIENT

NOTE

위드지스

DRAWN KJ



REV. NO. ISSUE & DATE

APPROVE

CHECKED BY

DRAWN BY

PROJECT NO.

SCALE

A1

A3

1 : 3

DATE

2020.03.01

DRAWING TITLE

SHEET NO.

DRAWING NO.