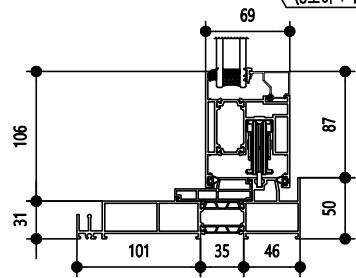
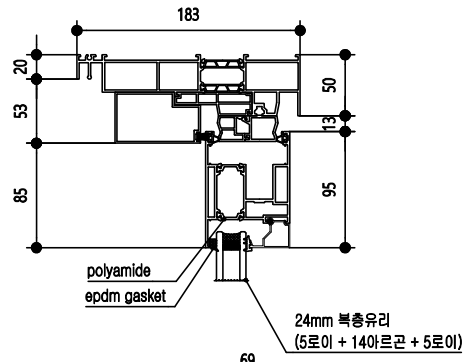
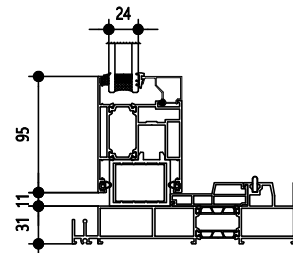
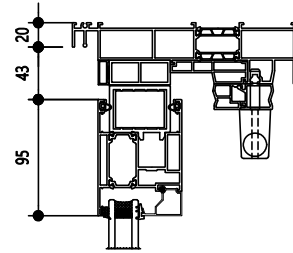


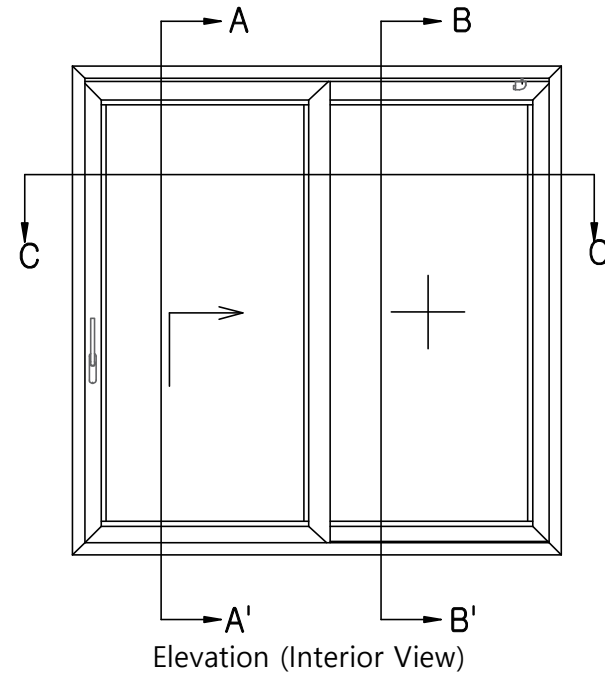
WITHJIS - High End Window
 WS 183 (24T) - Lift & Slide



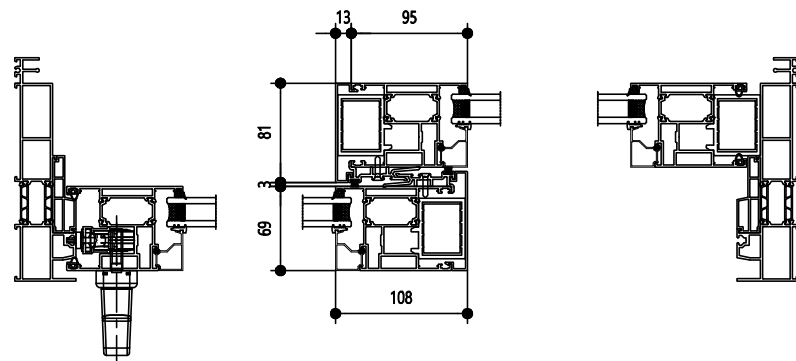
Vertical Section (A-A')



Vertical Section (B-B')



Elevation (Interior View)



Horizontal Section (C-C')

PROJECT TITLE	
CLIENT	
NOTE	
22T: 5CL+12SWS+5CL	
24T: 5CL+14SWS+5CL	
39T :5CL+12SWS+5CL+12SWS+5CL	
43T: 5CL+14SWS+5CL+14SWS+5CL	
47T: 5CL+16SWS+6CL+16SWS+5CL	
<p>위드지스 DRAWN KJ</p>	
NO.	ISSUE & DATE
APPROVE	
CHECKED BY	
DRAWN BY	
PROJECT NO.	
SCALE	A3
	A4
DATE	2022.10.20
DRAWING TITLE	
SHEET NO.	
DRAWING NO.	