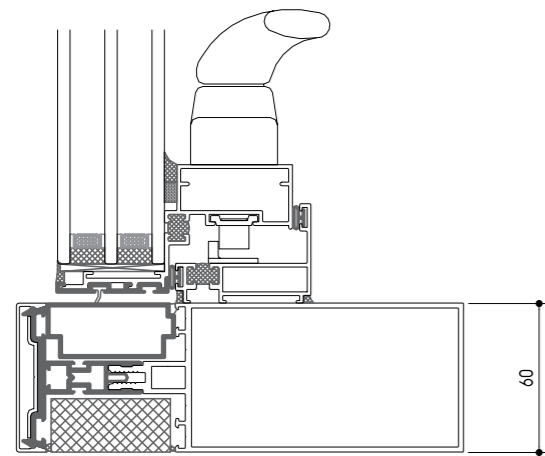
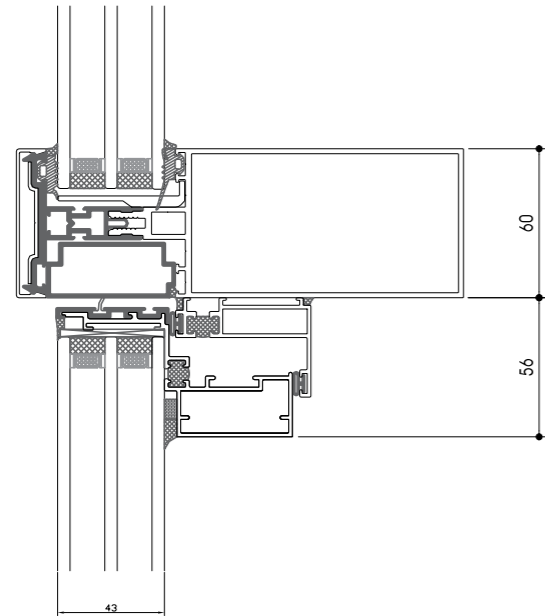
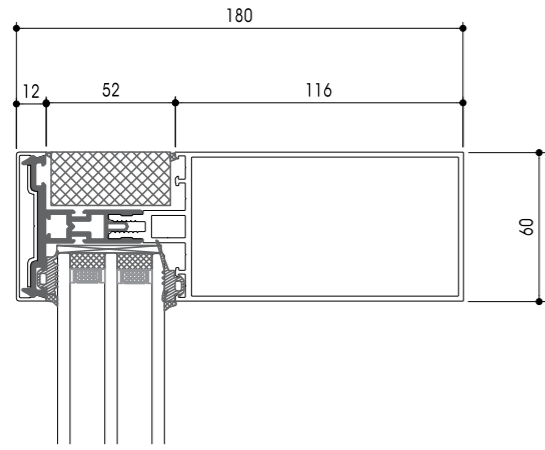
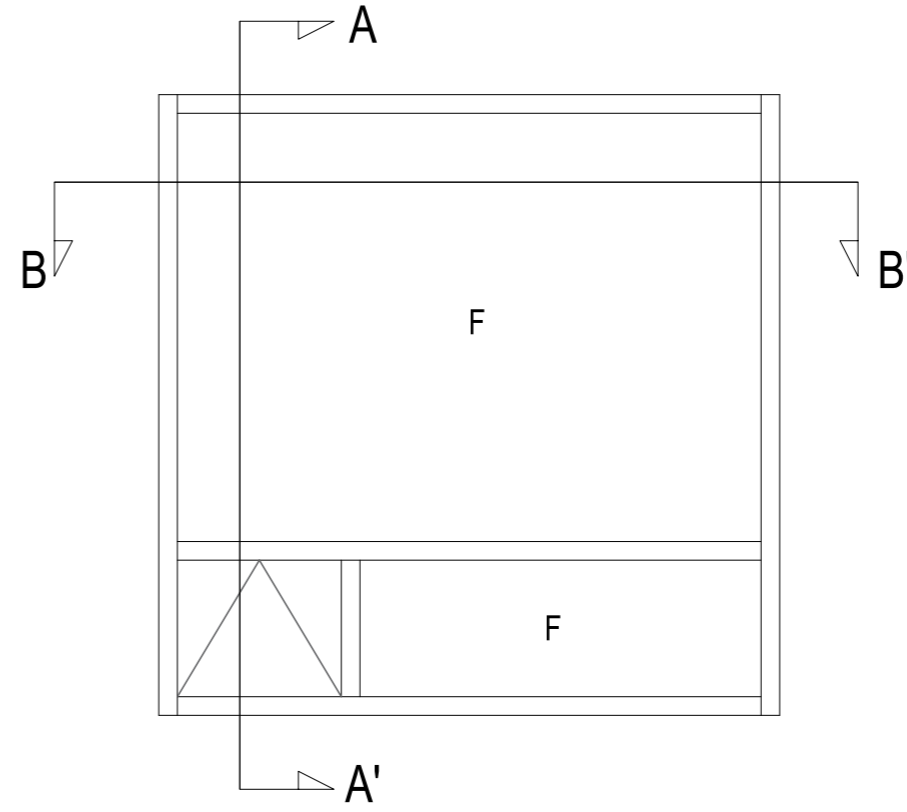


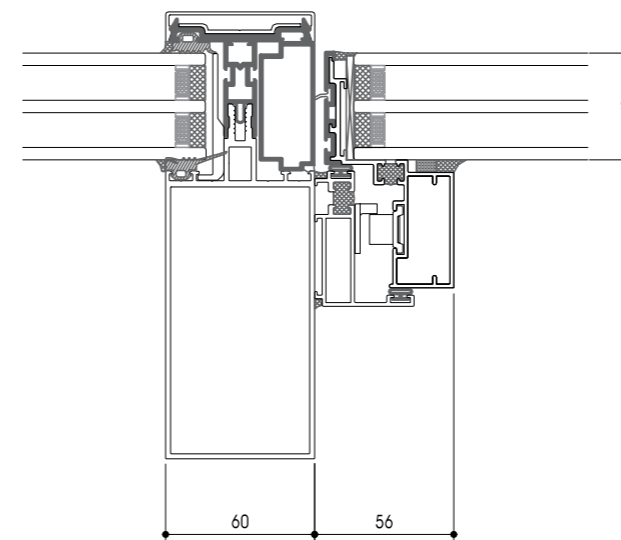
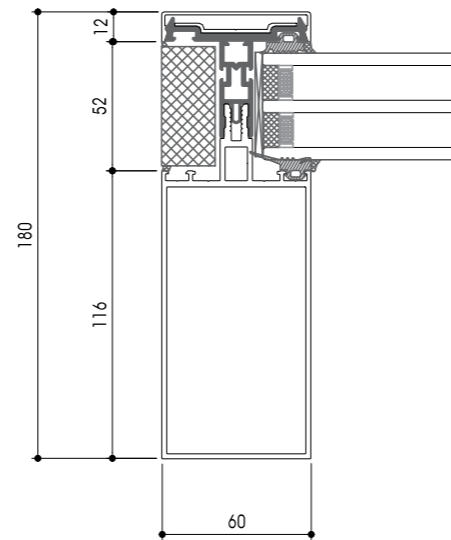
WITHJIS - High End Window
 WC 60 ,180mm (curtain wall)



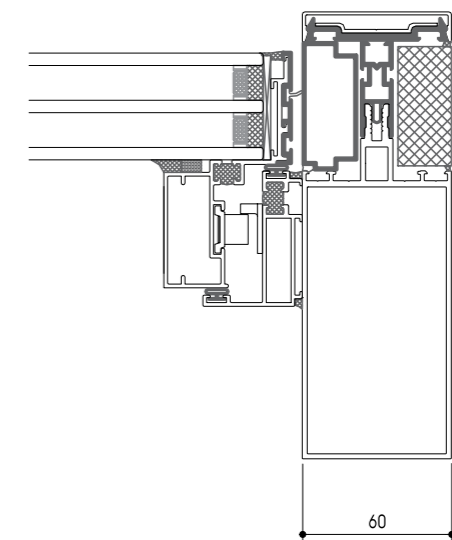
section A-A'



ELEVATION (INTERIOR VIEW)



section B-B'



PROJECT TITLE

CLIENT

NOTE

위드지스

DRAWN KJ



REV. NO. ISSUE & DATE

APPROVE

CHECKED BY

DRAWN BY

PROJECT NO.

| | | |
|-------|----|-------|
| SCALE | A1 | |
| | A3 | 1 : 3 |

DATE 2020.03.01

DRAWING TITLE

SHEET NO.

DRAWING NO.