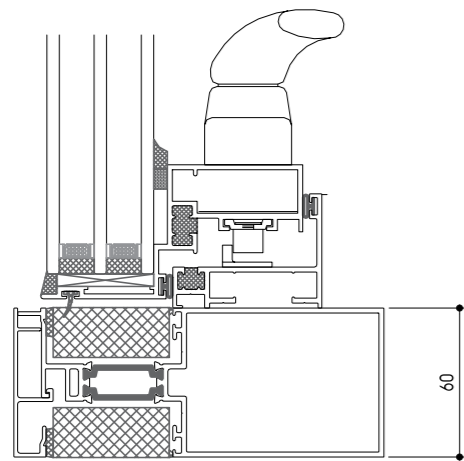
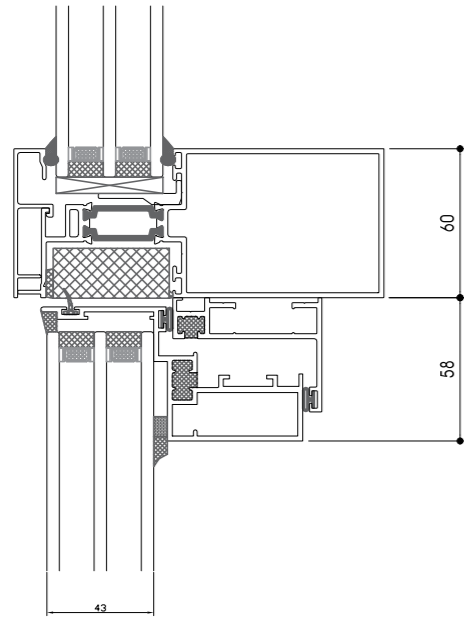
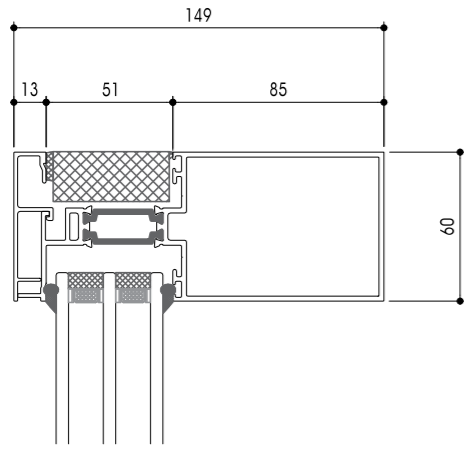
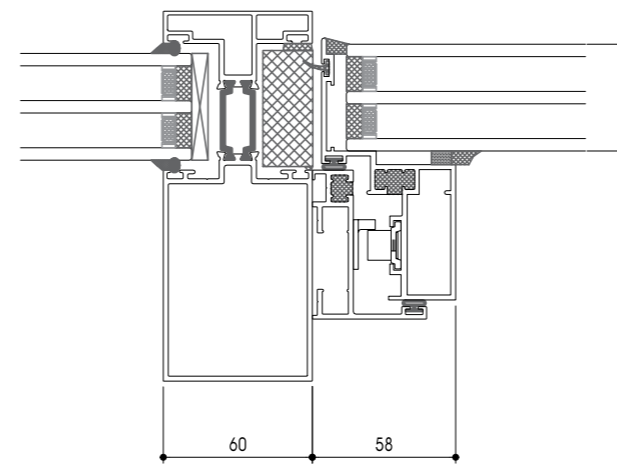
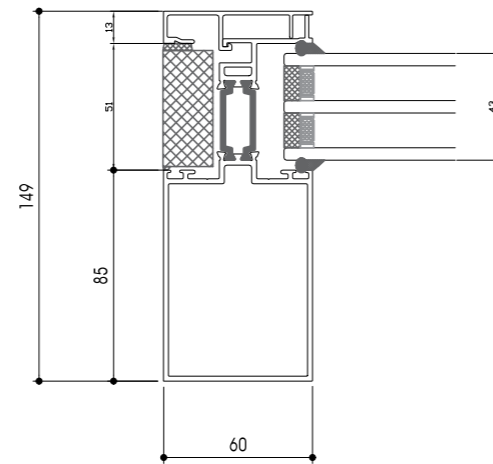


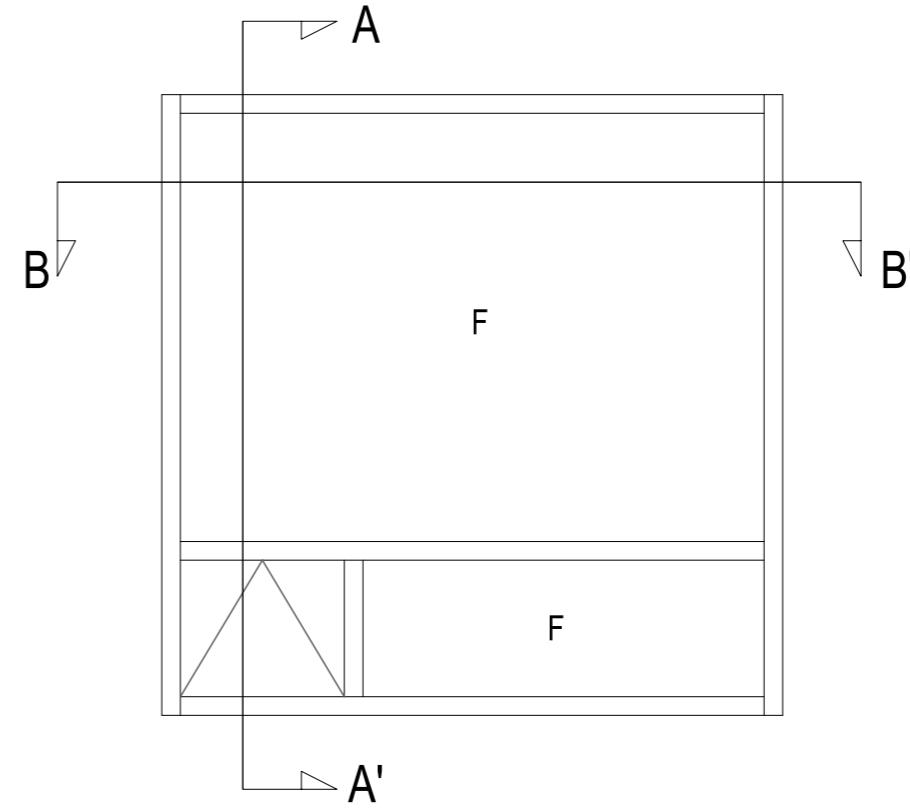
WITHJIS - High End Window  
 WC 60 ,149mm (curtain wall)



section A-A'



section B-B'



ELEVATION (INTERIOR VIEW)

PROJECT TITLE

CLIENT

NOTE

위드지스

DRAWN KJ



REV. NO. ISSUE & DATE

APPROVE

CHECKED BY

DRAWN BY

PROJECT NO.

SCALE A1 A3 1 : 3

DATE 2020.03.01

DRAWING TITLE

SHEET NO.

DRAWING NO.